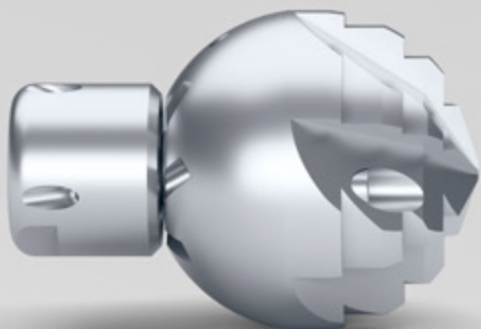


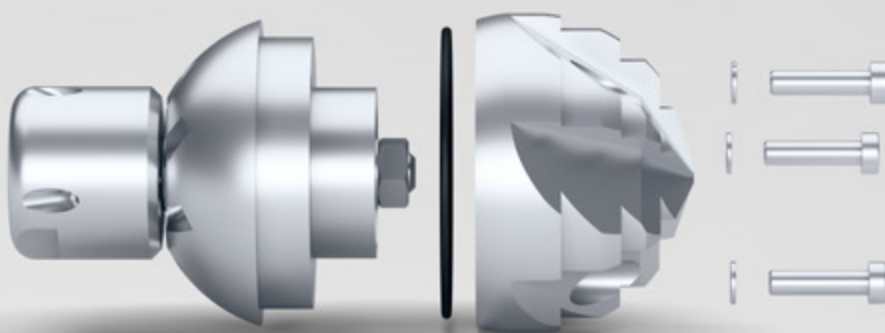
## EHS Schredder Ball 65 Data sheet

# EHS Shredder Ball 65

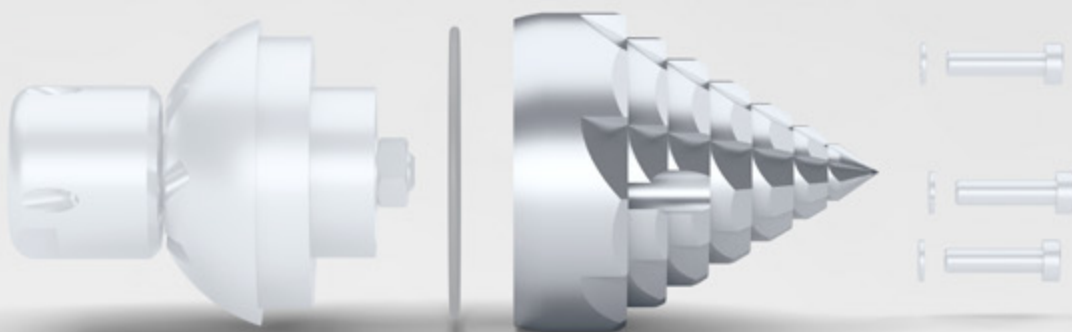


The EHS Shredder Ball 65 has a compact design and delivers highly efficient milling performance – even when used in narrow pipe bends – and is ideal for removing mineral deposits such as limescales or roots.

The well-thought-out design enables the milling head to be assembled and disassembled quickly and easily. Only three screws need to be loosened and tightened. This means that the head can be replaced in just a few steps with the optionally available Breaker milling head, which effortlessly removes even strong roots and blockages.

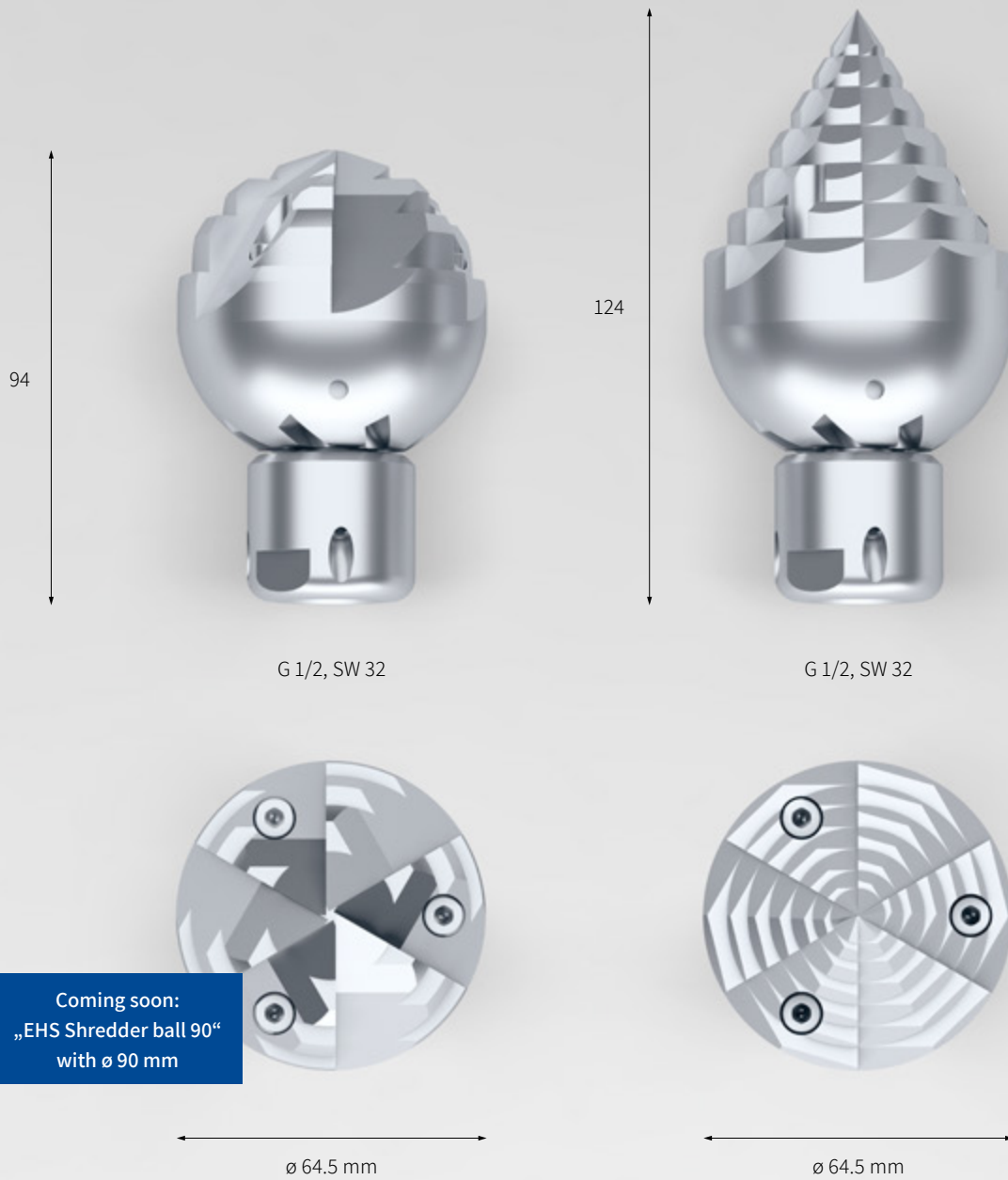


Shredder Ball, standard milling



**Shredder Ball converted with special milling head BREAKER:**  
The optional milling head Breaker is best suited to removing even strong roots and blockages

## Technical Details



### Features:

- Highly efficient milling performance in a compact design
- Suitable for 70 – 120 mm pipes
- Also suitable for narrow pipe bends
- The working pressure is a maximum of 300 bar
- Made from hardened stainless steel
- Ideal for mineral deposits such as lime or organic materials
- Easy assembly and disassembly



E. u. H. Schmidt GmbH + Co. KG  
Hutstraße 4  
96253 Untersiemau/Coburg  
Germany  
Tel.: +49 9565 9481-0

[www.schmidt-ehs.com](http://www.schmidt-ehs.com)  
[sales@schmidt-ehs.com](mailto:sales@schmidt-ehs.com)